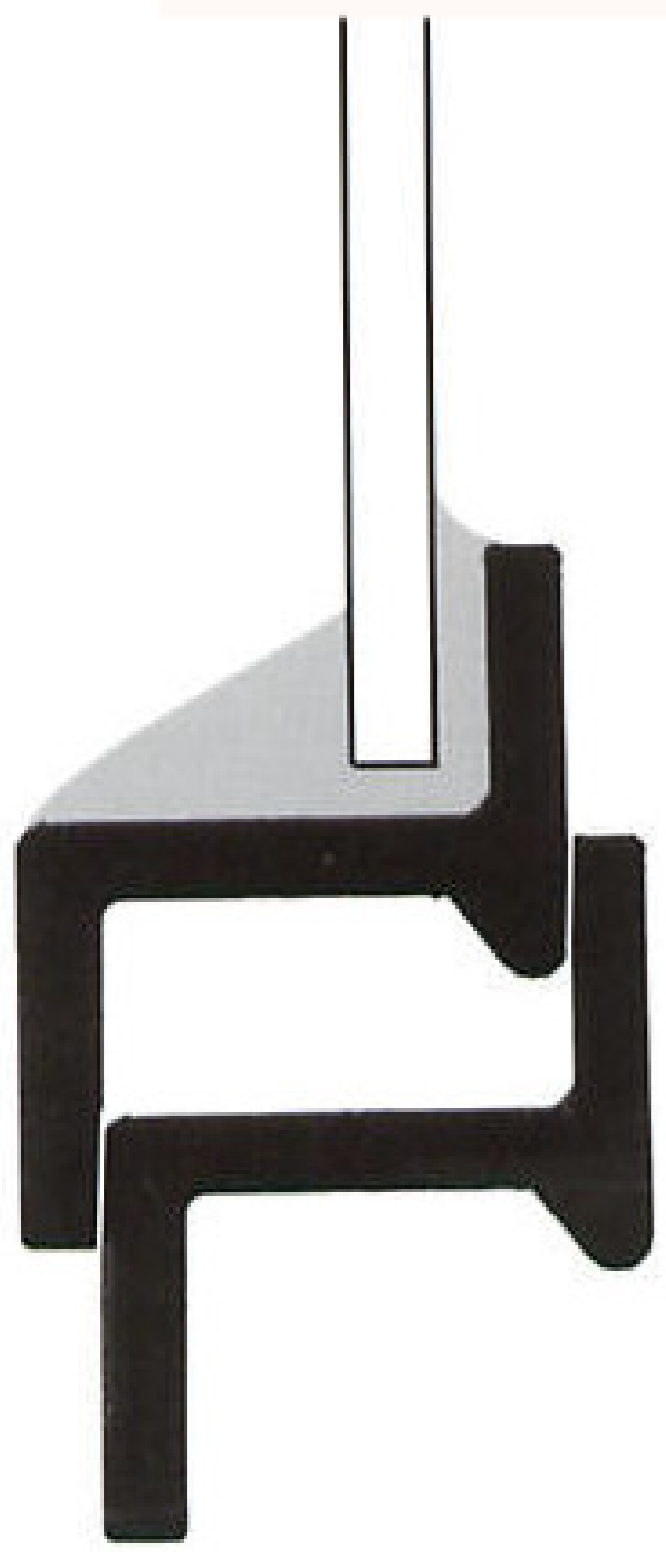


Polyester Powder coated, hot dip galvanised steel windows, all to take advanced soft coated low E glass, Argon gas filled double glazed units with a 'centre pane' value of $1.2 \text{ w/m}^2\text{k}$, to conform to document L of the latest building regulations.



F7

Single Glazed

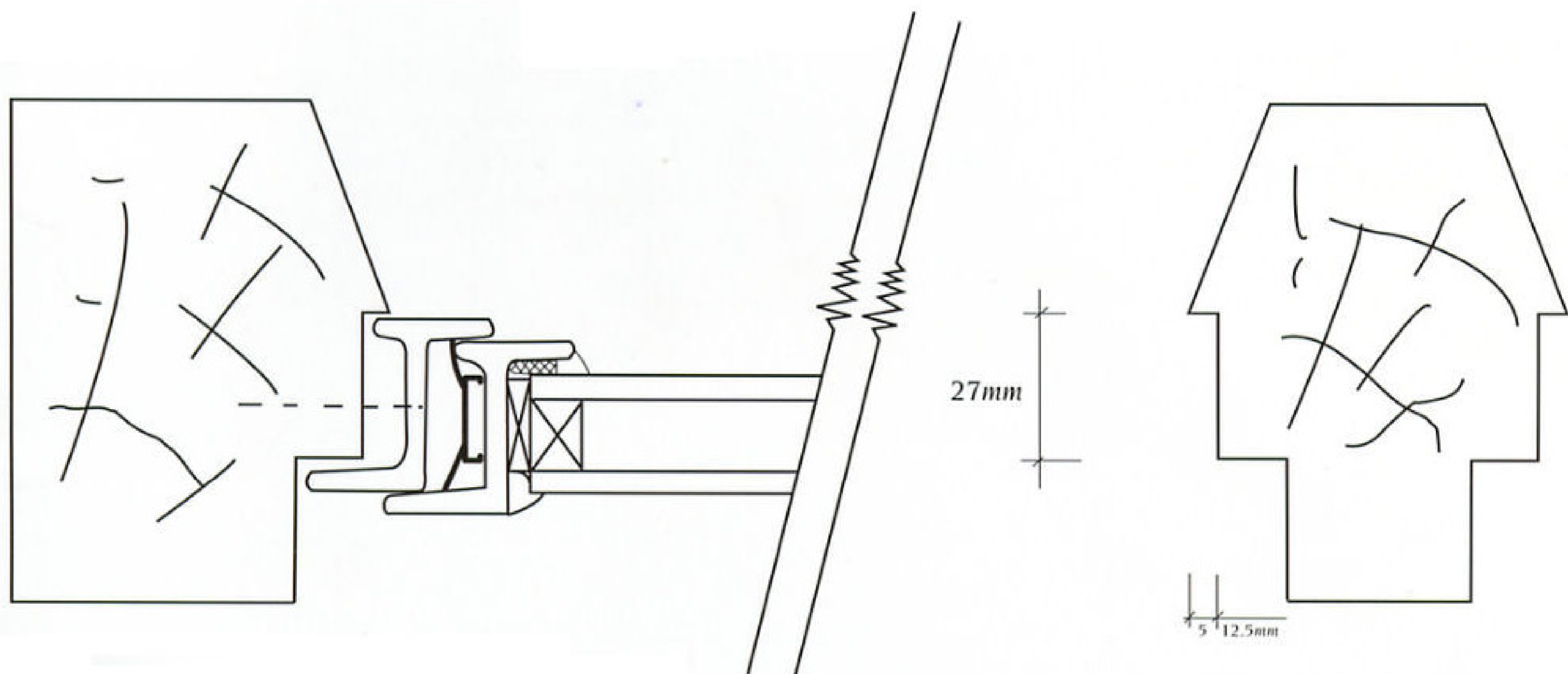
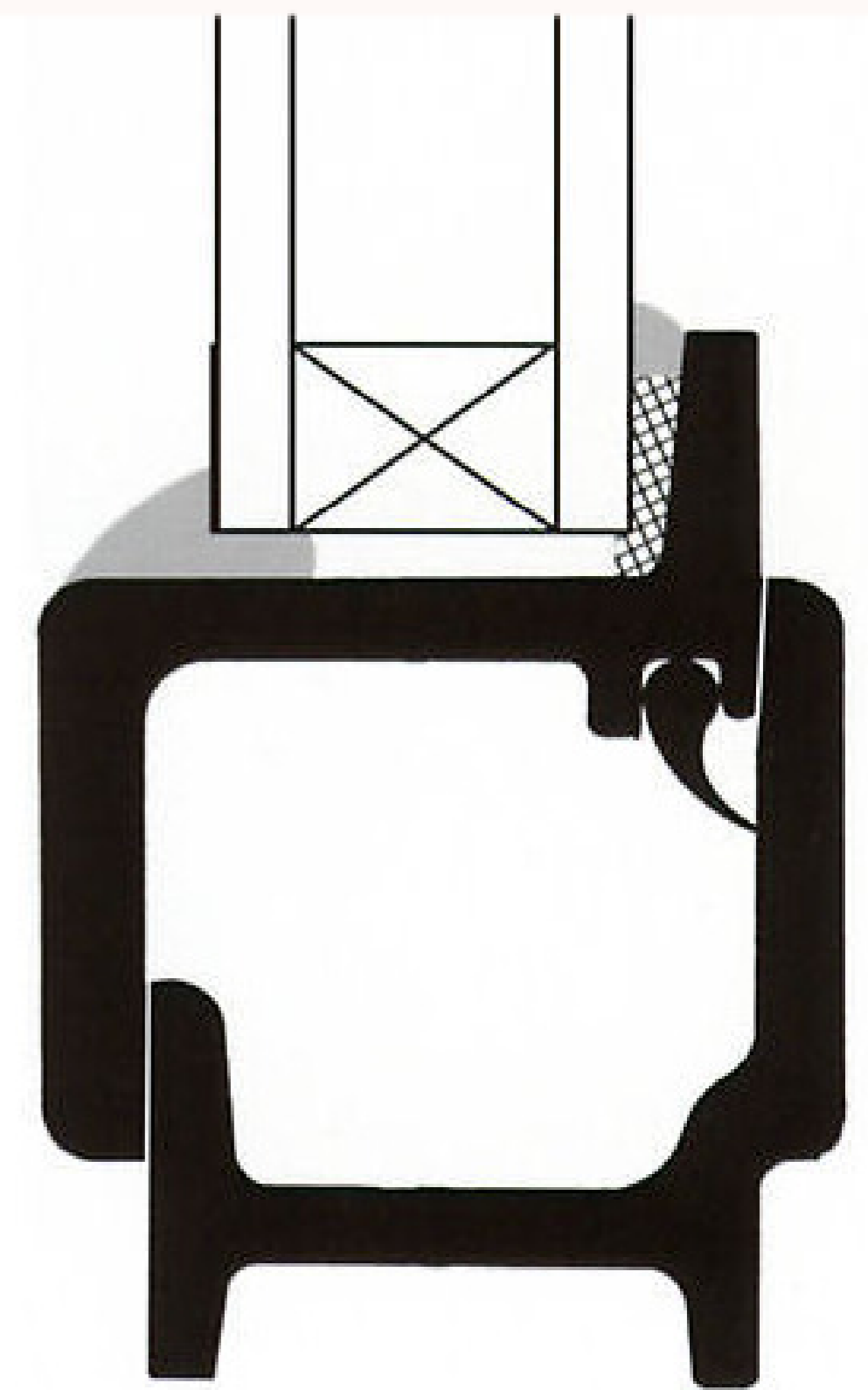


Full size

window sections...



W20 Sections



Typical section through windows set into timber subframes